



Tray Drying Rack

Models

TDR



TDR

Standard Features

- Rugged all-welded frame of stainless steel square tubing
- Solid stainless steel tray shelves
- Channel slides with 1.5" spacing
- Accommodates 18" x 26" and 14" x 18" pans or trays
- Rolls easily on 5" non-marking swivel casters (two with brake)

Warranty

- Two years parts and one year labor

Options

- Corner bumpers
- Wrap-around bumper
- Push handle
- Top rails (8 capacity size and under)

Spec #

AlA #

APPLICATION

Mobile or stationary, the Alluserv Induction Table is designed to hold induction chargers at an ergonomic working height. The 30" L x 24" D self size not only holds the charger, it still has plenty of room to stack your induction bases or induction plates. The under shelf has plenty of space for any kitchen equipment you want to keep close and secure.

SPECIFICATIONS

Welded of stainless steel construction. Unit shall feature welded fram of 16-gauge 1" x 1" square tubing. Trays shall be stored on three each solid tray shelves of 18-gauge stainless steel. Tray shelved shall be supported front and back and sides by 16-gauge 1" x 1" sqaure tubing, shall include a pan-stop ledge on one side, and shall be pitched slightly to allow drainage. Trays shall slide vertically into stainless steel channels welded to tray shelves. Channels shall have 1.5 spacing. Unit shall accomadate up to 120 eacj 18" x 26" (240 each 14" x 18") pans. Triangular 14-gauge tainless steel gussets shall be welded under bottom corners to accomadate plate-mount casters. Casters shall be all-swivel, with 5" non-marking wheels. Two each of the casters shall have wheel brake.

ALLUSERV,LLC

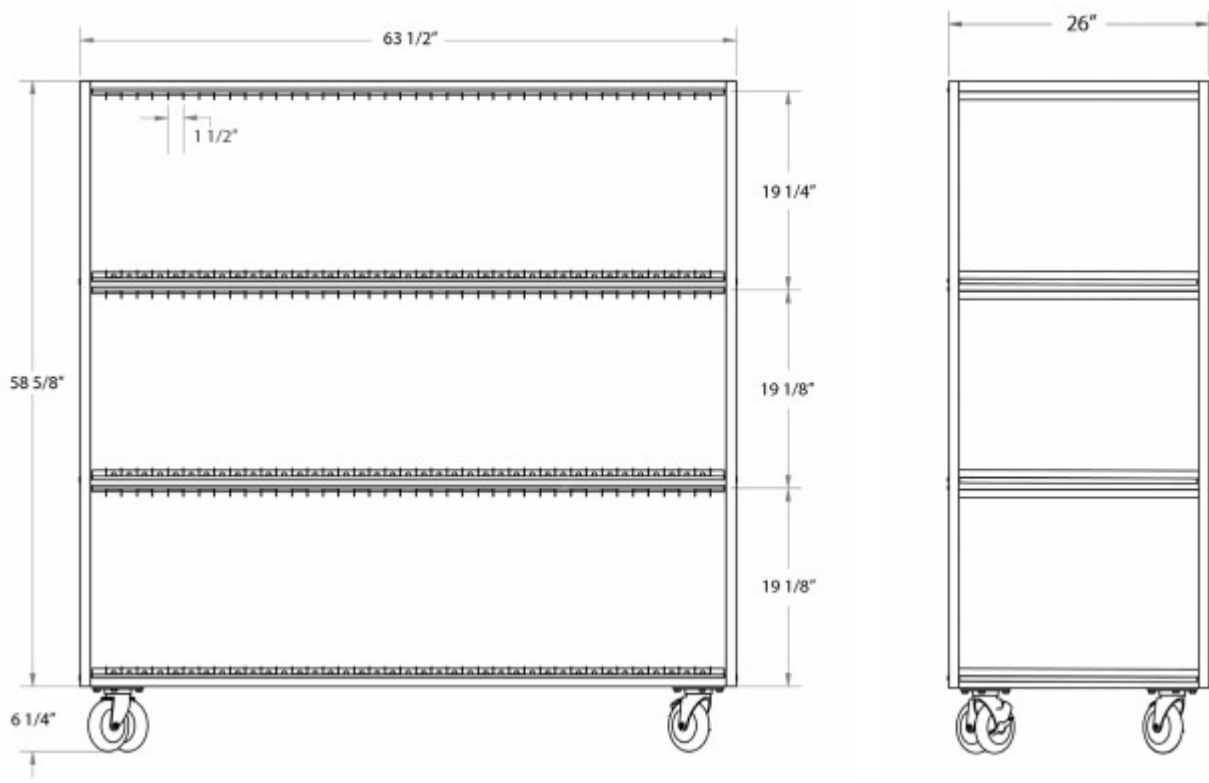
4900 West Electric Avenue | West Milwaukee WI | 53219

888-892-2213 | fax 636-239-8435 | info@alluserv.com | www.alluserv.com

Tray Drying Racks

Models
TDR

Spec #



MODEL INFORMATION

MODEL	FEET/CASTERS	OVERALL SIZE			SHIP WEIGHT
		D	L	H	
TDR	Casters	63.5"	26"	58.625"	305 lbs.

AIA #

