

Rack Dollies

Models

ARD01, SSRD01, SSRD02, SSRD03



Aluminum
Model shown with optional

Standard Features

- All Stainless Steel or aluminum Construction
- Load Capacity from 200-700 lbs.
- 5" rounded with soft tread casters, two with brake

Warranty

- Two years parts and one year labor

Options

- Detachable handle for model ARD01
- Two 5" casters with brakes
- Corner bumpers
- Models SSRD02 and SSRD03 come standard with tubular push handle

APPLICATION

The Alluserv Rack Dollies are designed to take on the toughest jobs and conditions. Ideal for storing and transporting cup and glass racks.

SPECIFICATIONS

These durable dollies are made of a solid one-piece aluminum or stainless steel platform with a 1" or 1-1/2" lip on all sides to prevent spills. The dollies are designed for handling 20" x 20" racks and have load capacities ranging from 200 lbs to 700 lbs. Both the aluminum and stainless steel models are rust-proof and corrosion-resistant for a long life. These models come standard with all swivel 5" casters.

ALLUSERV, LLC

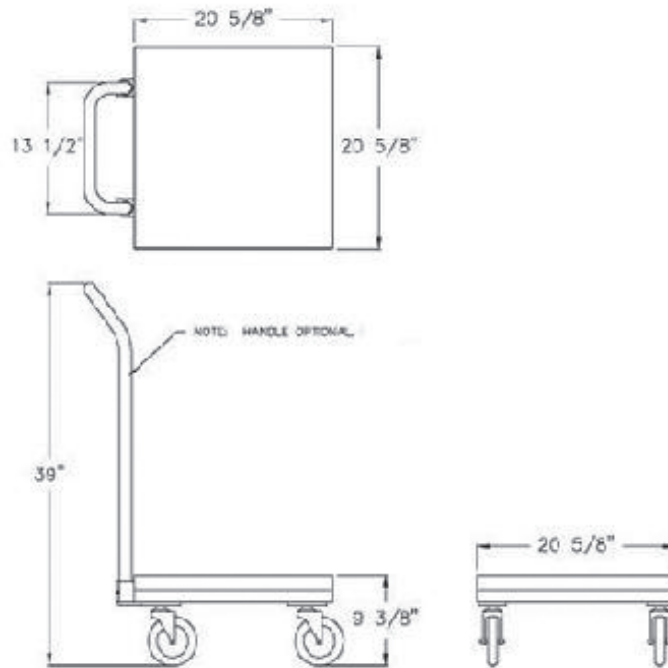
4900 West Electric Avenue | West Milwaukee WI | 53219

888-892-2213 | fax 636-239-8435 | info@alluserv.com | www.alluserv.com

Rack Dollies

Models

ARD01, SSRD01, SSRD02, SSRD03



Spec #

MODEL INFORMATION

MODEL	LOAD CAPACITY	OVERALL SIZE			SHIP WEIGHT	CASE CUBE
		D	L	H		
ARD01	700 lbs.	22-3/8"	20-5/8"	9-1/4"	21 lbs.	2.47
SSRD01	300 lbs.	20-3/4"	20-3/4"	6-1/4"	25 lbs.	1.56
SSRD02	200 lbs.	27"	20-7/8"	32"	28 lbs.	10.5
SSRD03	500 lbs.	27-3/8"	20-7/8"	32"	32 lbs.	10.69

AIA #



4900 West Electric Avenue | West Milwaukee WI | 53219 | 888-892-2213 | fax 636-239-8435 | info@alluserv.com | www.alluserv.com