



# Premier Room Service Cart

## Models

**RSDC1T6, RSDC2T12**

### Standard Features

- Accommodates 14" x 18" or 15" x 20" size trays with ample 6" ledge spacing.
- Doors open 270° out of your way
- All stainless steel construction
- Corner bumpers protect walls and furniture.
- Compartment floor drain facilitates interior cleaning.

### Warranty

- Two years parts and one year labor

### Options

- 2" top rail on three sides
- Perimeter bumper

## APPLICATION

The Alluserv room service delivery cart is ideal for any room service operation. The low profile design ensures safe transportation from kitchen to patient room.

## SPECIFICATIONS

Unit is 304 stainless steel with welded and riveted construction to accommodate 14" x 18" (356 x 457 mm) or 15" x 20" (381 x 508 mm) trays. Top and floor/base are 16-gauge stainless steel and sides and back are 20-gauge. Door is a 20-gauge, insulated, double-pan design, and is mounted to unit frame with two each 3" (76 mm) heavy-duty stainless steel hinges. Hinges are welded to door and unit frame. Door swings 270° to provide full access to tray compartment, and is easily removable by lifting off of hinges. Door latch is a recessed paddle design. Tray ledges are 18-gauge stainless steel angle, welded to an 18-gauge stainless steel frame panel at 6" (152 mm) spacing. Ledge panels removable for easy cleaning. Tray compartment has vents on end panels and perforated center floor drains. Unit base has 1-1/4" (32 mm) thick extruded PVC rounded bumpers mounted to corners.

Four 6" casters, two swivel and two with brakes, are mounted on the 14-gauge stainless steel dolly base. Casters are non-marking with shielded ball bearing races and zerk fittings for lubrication of bearings and will be non-marking.

### ALLUSERV, LLC

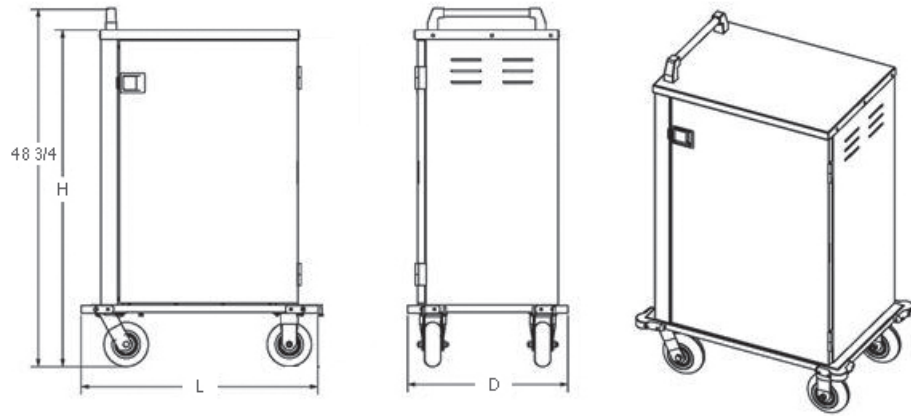
4900 West Electric Avenue | West Milwaukee WI | 53219

888-892-2213 | fax 636-239-8435 | [info@alluserv.com](mailto:info@alluserv.com) | [www.alluserv.com](http://www.alluserv.com)

# Premier Room Service Cart

## Models

RSDC1T6, RSDC2T12



RSDC1T6

Spec #

## MODEL INFORMATION

MODEL	TRAY CAPACITY	OVERALL SIZE			SHIP WEIGHT	CASE CUBE
		D	L	H		
RSDC1T6	6	21-3/4"	32-1/4"	45-3/4"	110 lbs.	27 cu. ft.
RSDC2T12	12	36-3/4"	32-1/4"	48-3/4"	190 lbs.	34 cu. ft.



Elevating Meal Service Experiences

AIA #