

## Induction Plate Activator™ with TempSense™



Model AIPH1



### Application/Features:

- Charges 9" ceramic induction plates for room service or tray line applications
- Built-in TempSense™ heat sensing regulator for consistent heating
- Calibrated plate locator assures precise plate placement on charging surface

### Performance:

- Charge time of approximately 20 seconds from ambient temperature
- Hold time of 20 minutes or more (with insulated dome and underliner)

### Construction:

- Stainless steel 18-gauge housing
- High-impact polycarbonate top charging surface
- Rubber feet for non-slip stability

### Electrical:

- 120 VAC, 60Hz., 1-Ph.
- Six foot 14-3 grounded power cord with NEMA 5-15P angled plug

### Warranty:

- 2-year parts
- 1-year labor

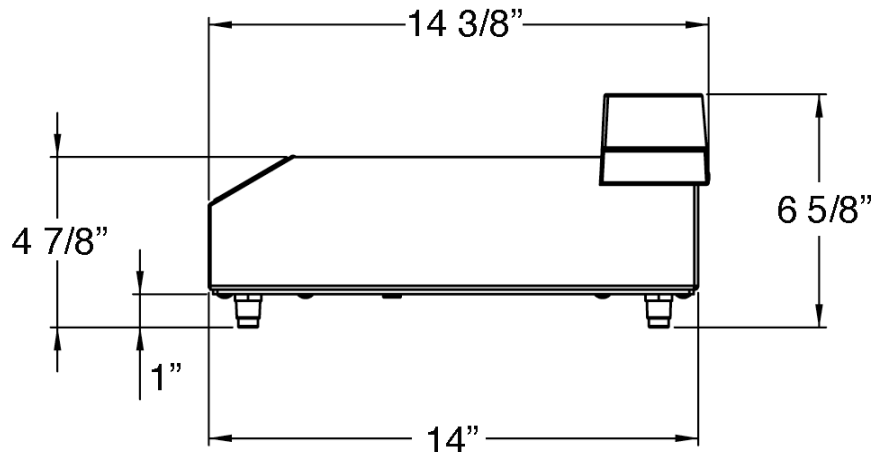
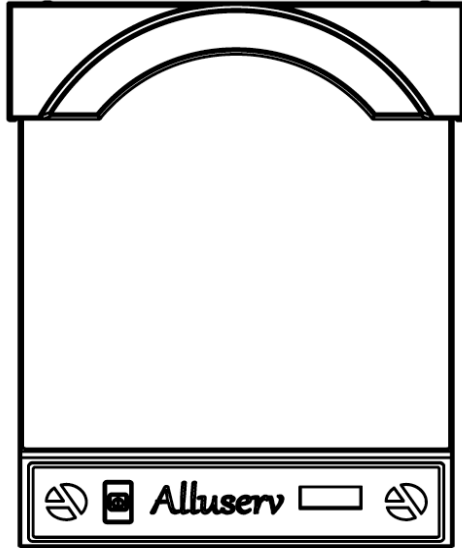
### Specification:

Alluserv **Model AIPH1** charges (heats) plates by magnetic induction. Units charge 9" induction plates. Induction charger has 900 W output. Unit exterior housing is 18-gauge stainless steel (Type 300), and includes rubber feet. Top charging surface is scratch-resistant polycarbonate, and features a calibrated plate locator to assure precise plate placement on charging surface. Built-in TempSense™ heat sensing device is preset to regulate consistent plate temperatures to 210°F. Unit operates on 120 VAC, 60Hz, 1-phase, and is supplied with 6' grounded 14-3 power cord with NEMA plug. Unit is ETL listed for sanitation and safety and has a 2-year parts and 1-year labor warranty.

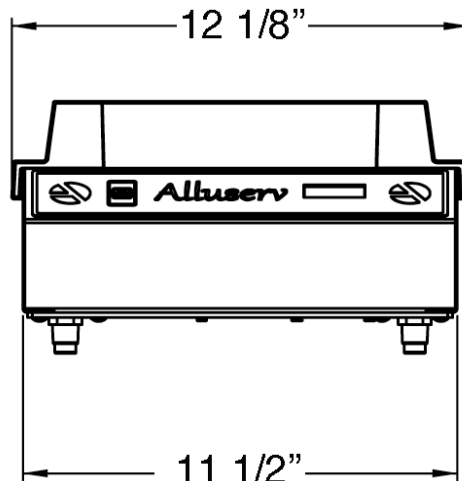
Spec. # \_\_\_\_\_  
AIA # \_\_\_\_\_

## Induction Plate Activator

Top



Side



Front

### Model Information

Model	Overall Size			Electrical			Case Wt. Lb. (kg)	Case Cube Cu. Ft. (m <sup>3</sup> )
	W	D	H	Watts	Amps	VAC		
AIPH1	12 1/8" (308)	14 3/8" (365)	6 5/8" (168)	900	7.5	120, 60Hz	22 (9.9)	0.73 (0.04)

Measurements in ( ) denote metric millimeters, unless otherwise specified.

Powered by  **LAKESIDE**

4900 West Electric Avenue ♦ West Milwaukee WI 53219 USA  
 tel: 888.892.2213 ♦ www.alluserv.com

**Made in**  
  
**U.S.A.**

Spec. #

AIA #