



Cantilever Tray & Rack Dispensers

Models

**CTD 1418, CTD1520, CTD1622,
CRD2020, DCTD1418, DCTD1520,
DCTD1622, DCRD2020**

Standard Features

- Field adjustable by unhooking springs that are connected to the arms. Allows for quick adjustments for the ergonomic dispensing level.
- Fitted with corner bumpers to protect walls as well as your investment
- Quiet 5" swivel-tread casters 2 with brakes or stanionary feet

Warranty

- Two years parts and one year labor

Options

- Holds tray and rack sizes:
 - 14" x 18" tray
 - 15" x 20" tray
 - 16" x 22" tray
 - 20" x 20" rack



APPLICATION

The cantilever self-leveling tray and rack dispenser is a convenient way to transport trays to the tray make-up area and its ergonomic design reduces the need for bending and stretching to different heights.

SPECIFICATIONS

The cantilever tray dispensers are stainless steel and allow for trays to be dispensed on a spring-loaded, self-leveling mechanism. The carriages are cantilevered to an upright support where 14-gauge stainless steel arms hold the trays. The arms are connected to a bank of springs, located inside the upright supports, which can be hooked and unhooked for proper ergonomic dispensing level. The carriage platform is constructed of 18-gauge stainless steel with 20-gauge upright supports and top. The base is constructed of 18-gauge stainless steel and is fitted with vinyl corner bumpers. The dispenser rests on 5" diameter casters, two with locking brakes. Unit is NSF listed.

ALLUSERV, LLC

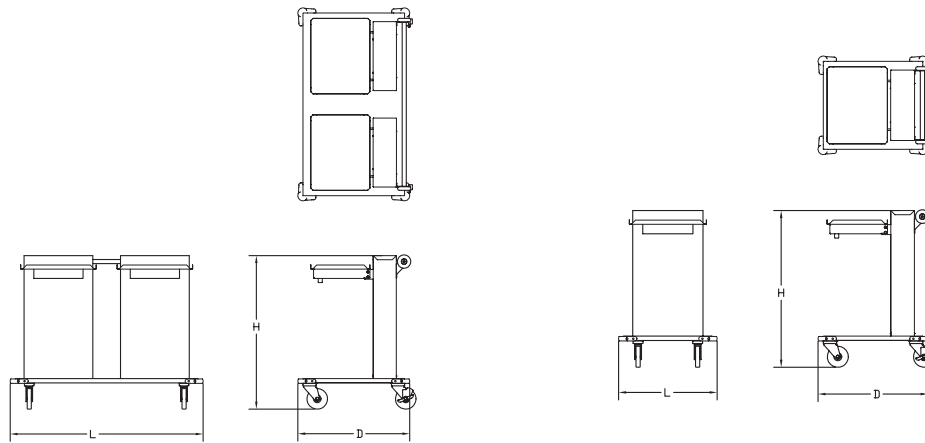
4900 West Electric Avenue | West Milwaukee WI | 53219

888-892-2213 | fax 636-239-8435 | info@alluserv.com | www.alluserv.com

Cantilever Tray & Rack Dispensers

Models

CTD1418, CTD1520, CTD1622, CRD2020, DCTD1418,
DCTD1520, DCTD1622, DCTD2020



Spec #

MODEL INFORMATION

MODEL	ACCOMODATES TRAY SIZE	OVERALL SIZE			SHIP WEIGHT
		D	L	H	
CTD1418	14" x 18"	23-1/2"	26-1/4"	37-13/32"	112 lbs.
CTD1520	15" x 20"	23-1/2"	26-1/4"	37-13/32"	113 lbs.
CTD1622	16" x 22"	23-1/2"	26-1/4"	37-13/32"	114 lbs.
CRD2020	20" x 20"	31-1/2"	23-1/2"	37-13/32"	114 lbs.
DCTD1418	14" x 18"	27-1/4"	47"	37-13/32"	225 lbs.
DCTD1520	15" x 20"	27-1/4"	47"	37-13/32"	255 lbs.
DCTD1622	16" x 22"	32-1/4"	47"	37-13/32"	226 lbs.
DCRD2020	20" x 20"	32-1/4"	47"	37-13/32"	256 lbs.

AIA #



Elevating Meal Service Experiences

4900 West Electric Avenue | West Milwaukee WI | 53219 | 888-892-2213 | fax 636-239-8435 | info@alluserv.com | www.alluserv.com