



Redefining Healthcare Food Service

# Induction Plate Activator™ with TempSense™

Item # \_\_\_\_\_  
Quantity \_\_\_\_\_



Model AIPH1



### Application/Features:

- Charges 9" ceramic induction plates for room service or tray line applications
- Built-in TempSense™ heat sensing regulator for consistent heating
- Calibrated plate locator assures precise plate placement on charging surface

### Performance:

- Charge time of approximately 20 seconds from ambient temperature
- Hold time of 25 to 30 minutes (with insulated dome)

### Construction:

- Stainless steel 18-guage housing
- High-impact polycarbonate top charging surface
- Rubber feet for non-slip stability

### Electrical:

- 120 VAC, 60Hz., 1-Ph.
- Six foot 14-3 grounded power cord with NEMA 5-15P angled plug

### Warranty:

- 2-year parts
- 1-year labor

### Specification:

Shall be Alluserv Model AIPH1 and shall charge (heat) plates by magnetic induction. Units shall charge 9" induction plates. Induction charger shall have 900 W output. Unit exterior housing shall be of 18-guage stainless steel (Type 300), and include rubber feet. Top charging surface shall be scratch-resistant polycarbonate, and shall feature a calibrated plate locator to assure precise plate placement on charging surface. Built-in TempSense™ heat sensing device shall be preset to regulate consistent plate temperatures to 210°F. Unit shall operate on 120 VAC, 60Hz, 1-phase, and be supplied with 6' grounded 14-3 power cord with NEMA plug. Unit shall be ETL listed for sanitation and safety and shall have a 2-year parts and 1-year labor warranty.

Spec. # \_\_\_\_\_  
AIA # \_\_\_\_\_

**Made in U.S.A.**

Powered by **LAKESIDE**

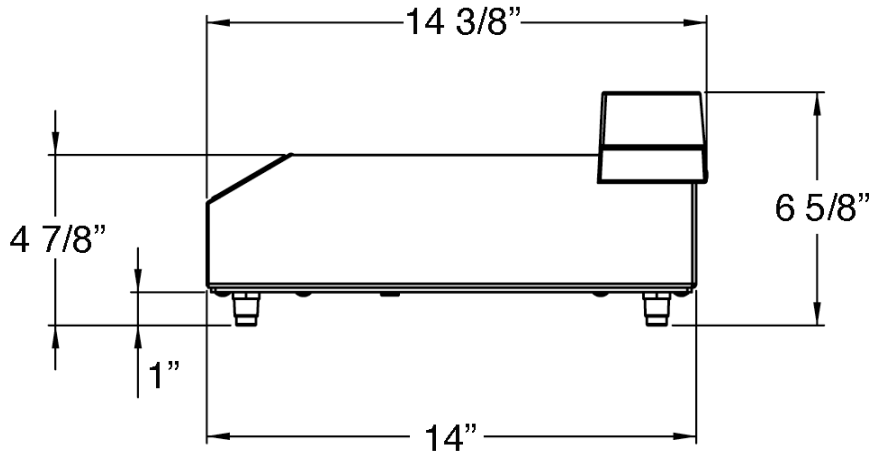
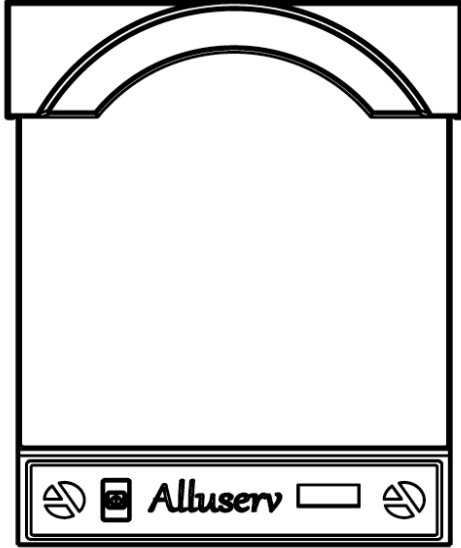
901 West 14th Street ♦ Washington MO 63090 USA  
tel: 888.892.2213 ♦ 636.239.8441 ♦ www.alluserv.com



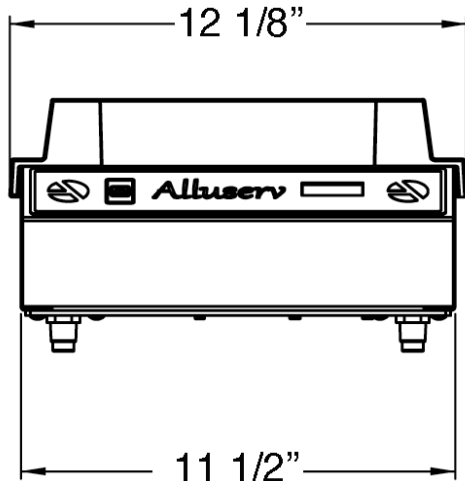
Redefining Healthcare Food Service

# Induction Plate Activator

Top



Side



Front

Spec. #

AIA #

## Model Information

Model	Overall Size			Electrical			Case Wt. Lb. (kg)	Case Cube Cu. Ft. (m <sup>3</sup> )
	W	D	H	Watts	Amps	VAC		
AIPH1	12 1/8" (308)	14 3/8" (365)	6 5/8" (168)	900	7.5	120, 60Hz	22 (9.9)	0.73 (0.04)

Measurements in ( ) denote metric millimeters, unless otherwise specified.

Powered by LAKESIDE

901 West 14th Street ♦ Washington MO 63090 USA  
tel: 888.892.2213 ♦ 636.239.8441 ♦ www.alluserv.com